



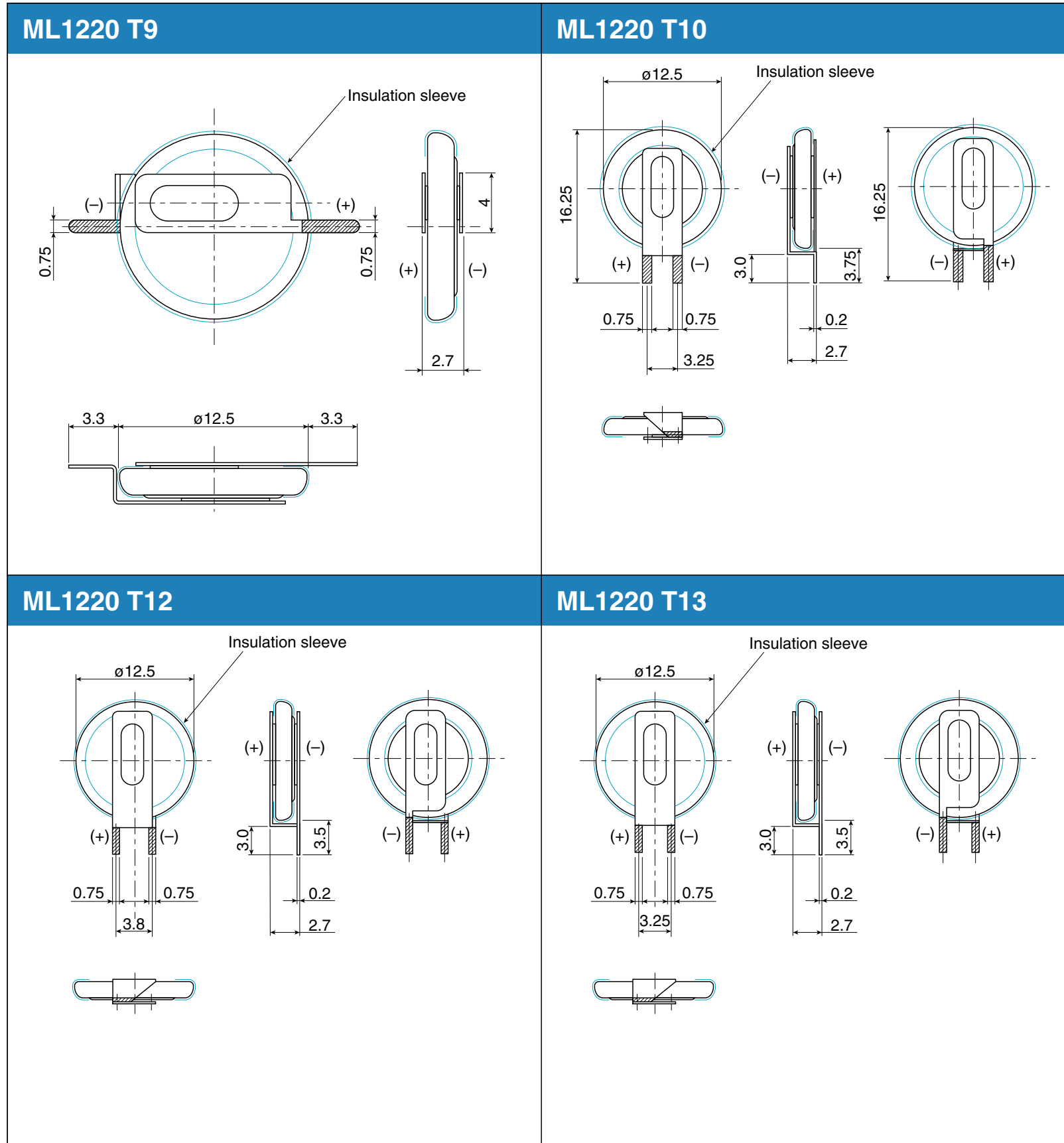
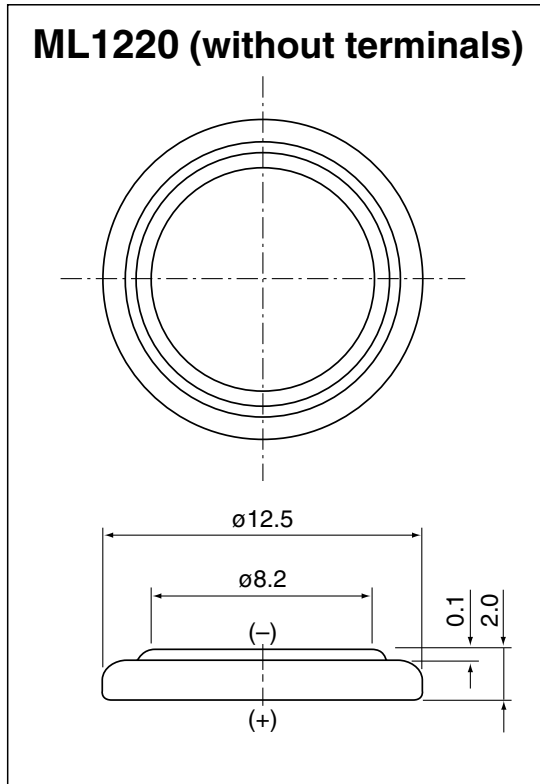
Coin-type Manganese Dioxide Lithium Rechargeable Battery

maxell

# ML1220 (18mAh)

## Diagrams of Batteries with Terminals

### External Dimensions (unit: mm)



 Solder plating