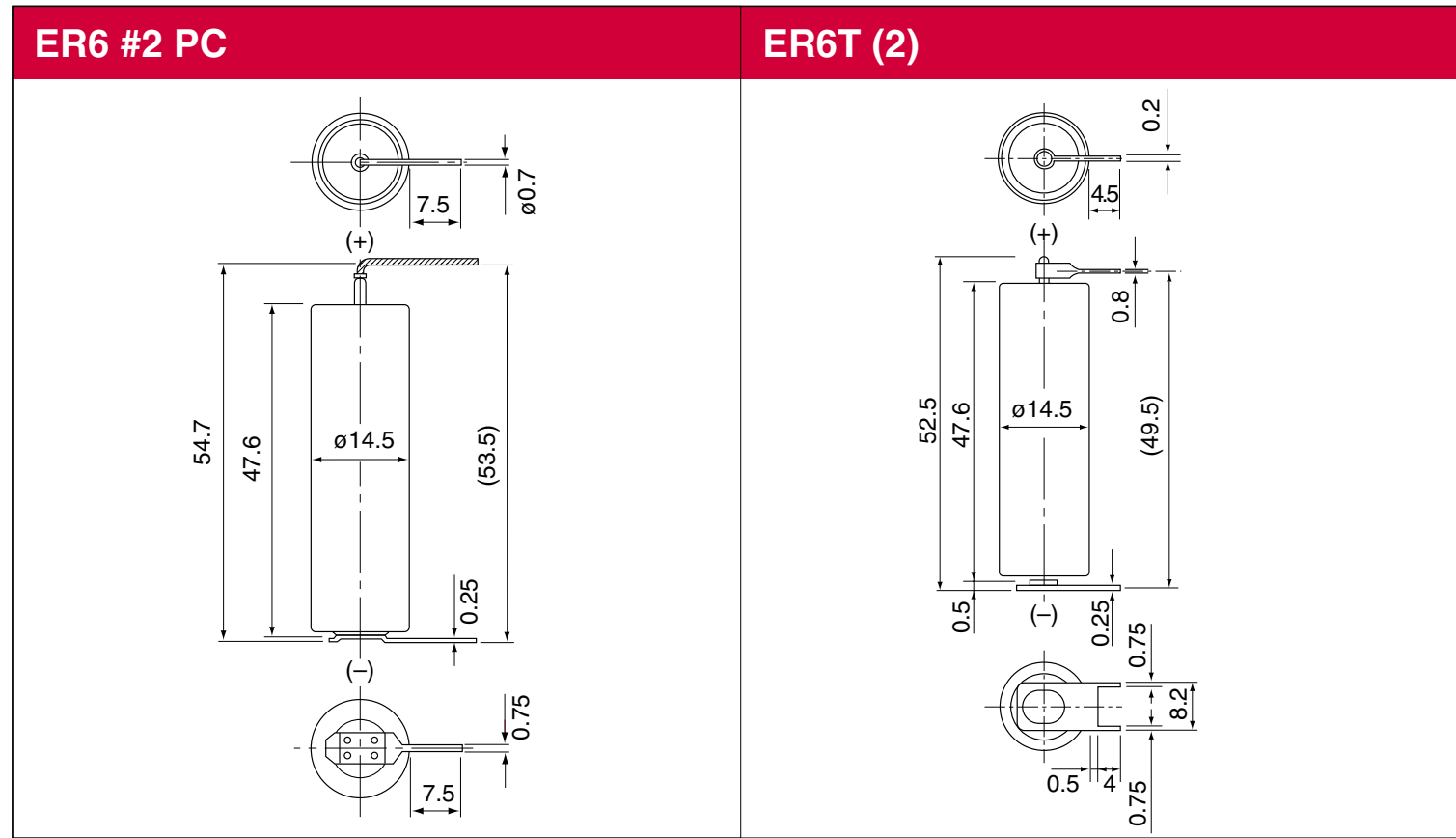


# ER6 (2000mAh)

## Diagrams of Batteries with Terminals

● External Dimensions (unit: mm)



: Solder plating