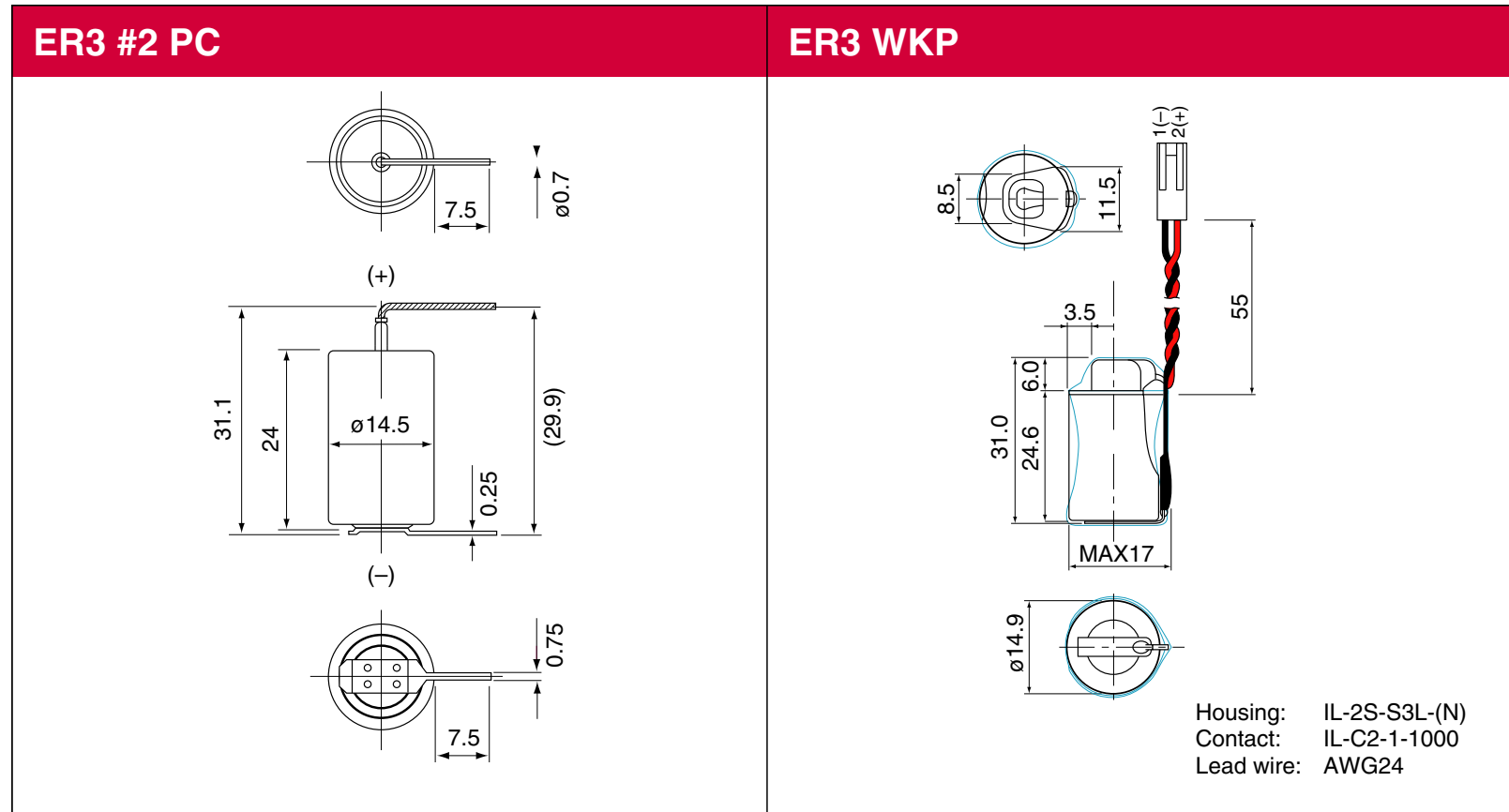


ER3 (1100mAh)

Diagrams of Batteries with Terminals

● External Dimensions (unit: mm)



 : Tin plating