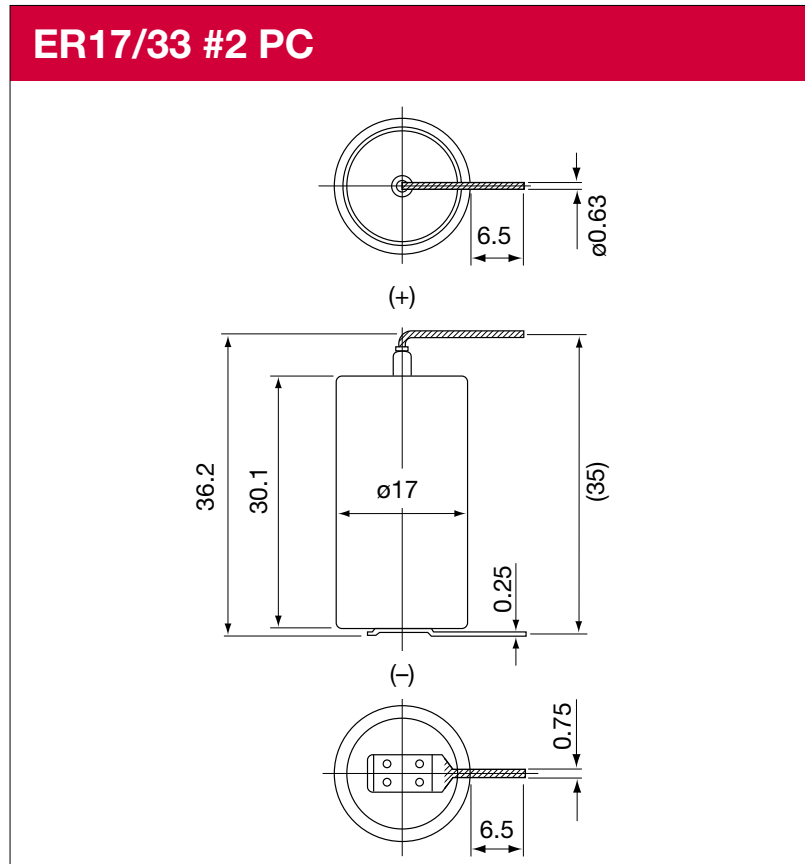


# ER17/33 (1600mAh)

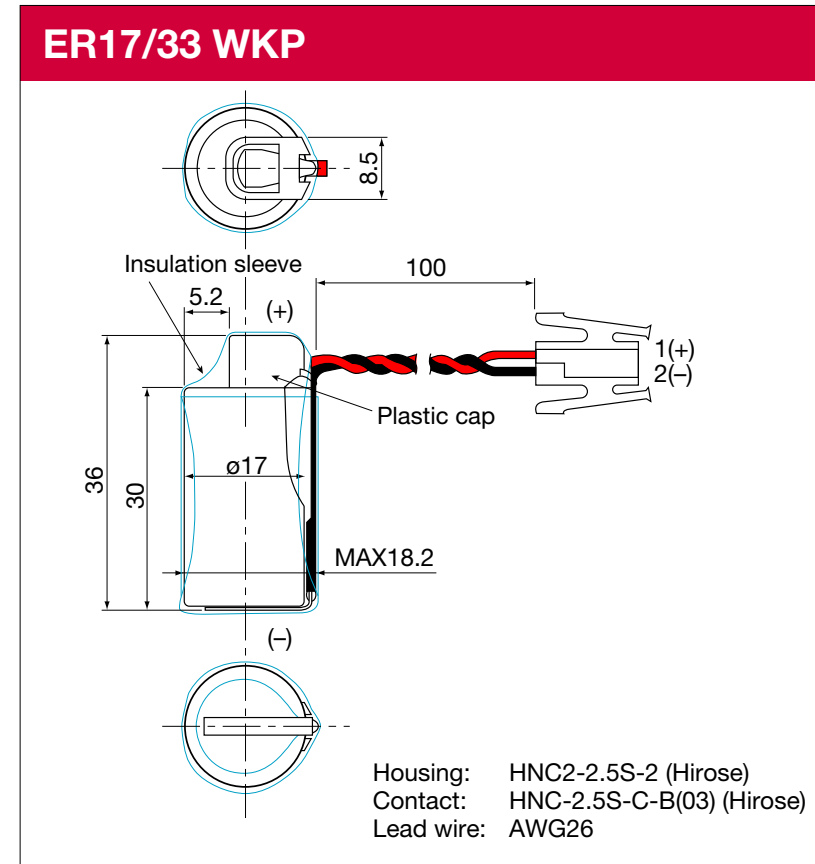
## Diagrams of Batteries with Terminals

● External Dimensions (unit: mm)

### Horizontal & Through hole Type



### Wire connector Type



: Tin plating