

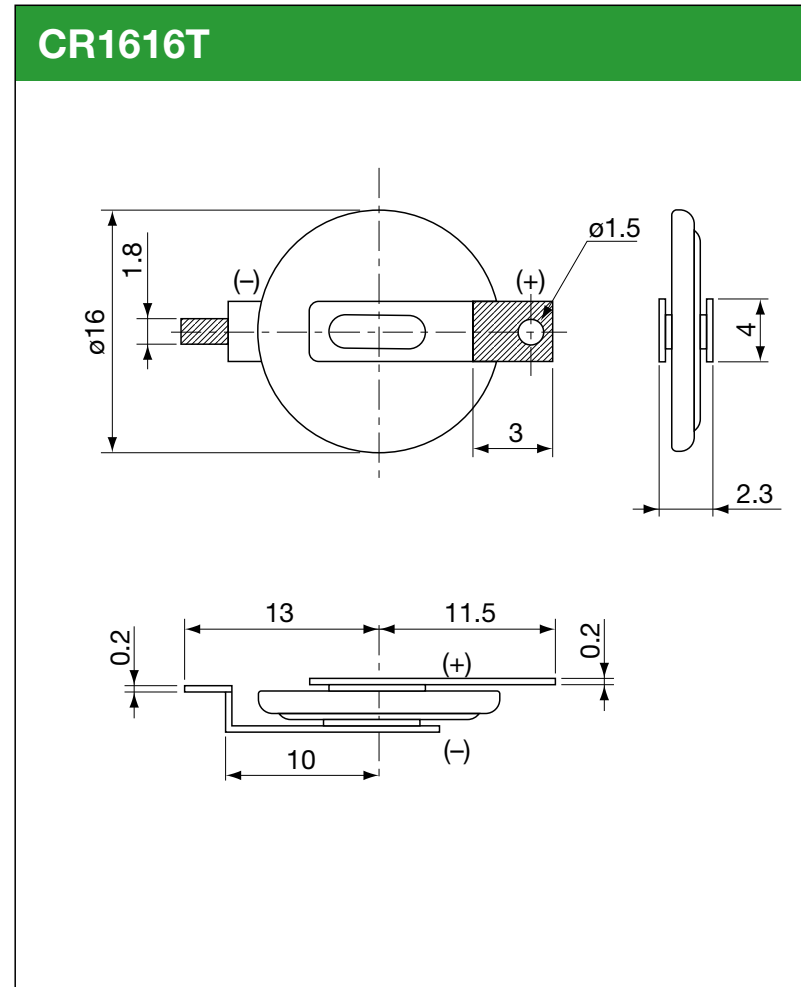
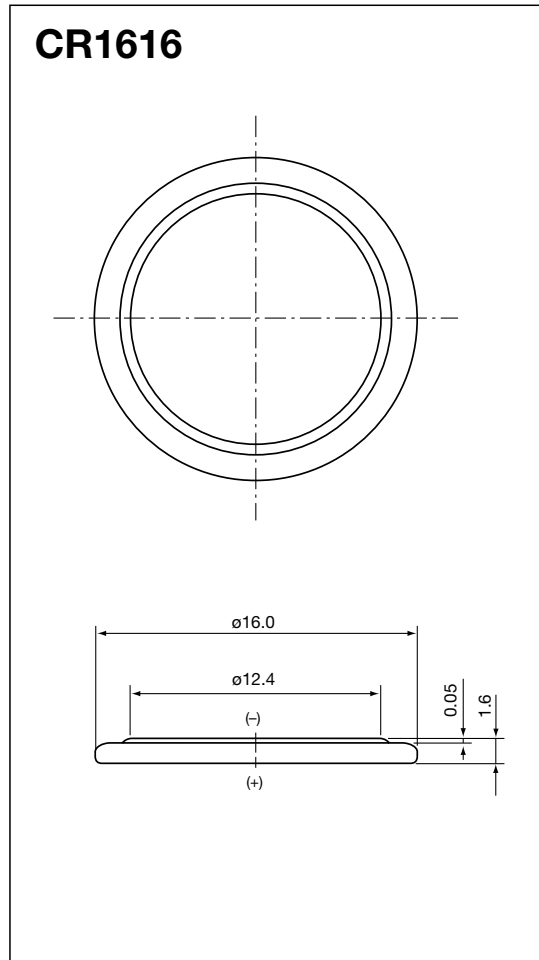


CR1616 (55mAh)

Shapes and Dimensions

Horizontal & Surface mounting Type

● External Dimensions (unit: mm)



Tin plating