



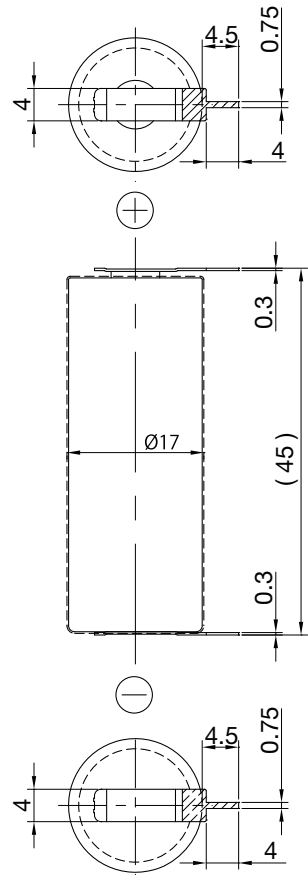
Manganese Dioxide Lithium Battery

maxell

CR17450 (2600mAh) Diagrams of Batteries with Terminals

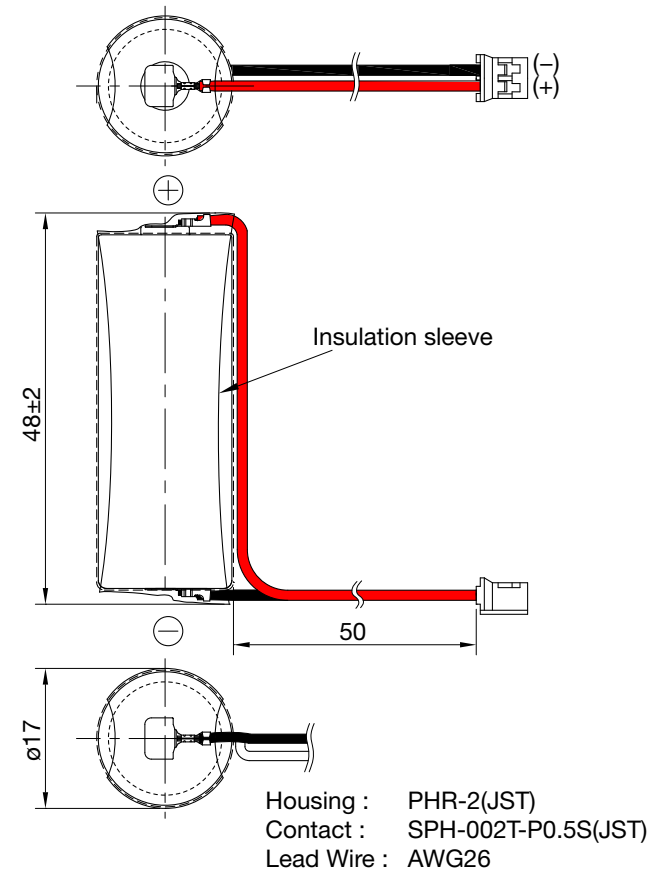
Horizontal & Through hole Type

CR17450 VO-T3



Wire connector Type

CR17450 WK 41



 Tin plating